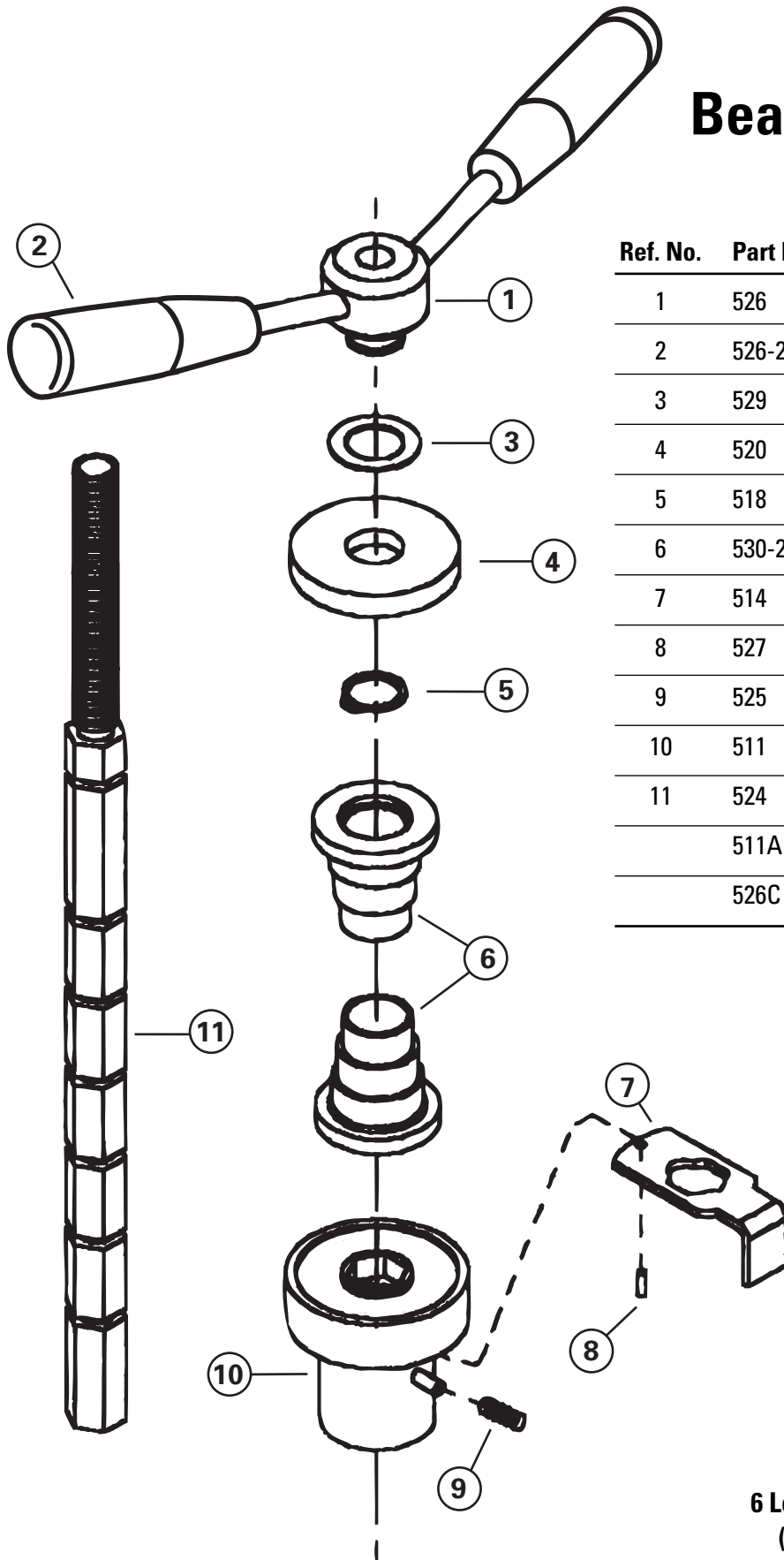


Bearing Cup Press HHP-2



Ref. No.	Part No.	Description
1	526	Handle weldment
2	526-2	Handle knob (2)
3	529	Nylon washer
4	520	Moveable plate
5	518	Circlip
6	530-2	Cup Guides
7	514	Sliding lever
8	527	Split pin 1/8" x 3/8"
9	525	Spring
10	511	Sliding press plate
11	524	Hex shaft
	511A	Sliding press plate complete
	526C	Threaded press plate complete



6 Long Lake Road • St. Paul, MN 55115
 (651) 777-6868 • Fax (651) 777-5559
www.parktool.com