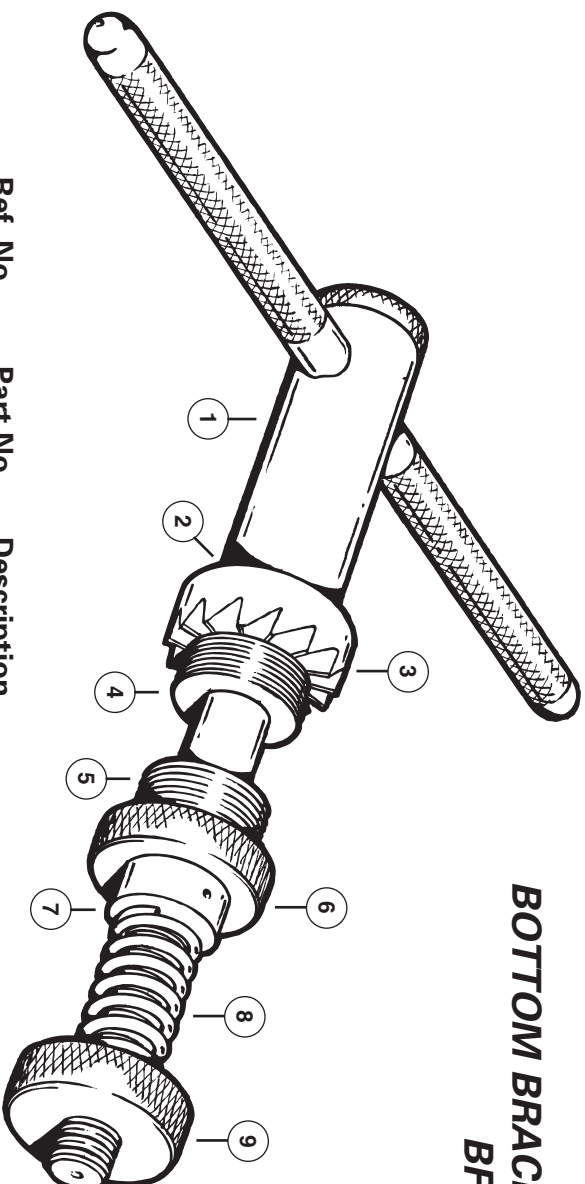


## BOTTOM BRACKET FACING SET BFS-1



<u>Ref. No.</u>	<u>Part No.</u>	<u>Description</u>	<u>Qty.</u>
1	678	Handle weldment	1
2	674	Spring retainer	2
3	690	Facing mill cutter	1
4	681	1.370 x 24 TPI Right hand bushing - English	1
5	682	1.370 x 24 TPI Left hand bushing - English	1
6	686	Knurled washer	1
7	683	Anti-rotation washer	1
8	689	Pressure spring	1
9	680	Speed nut	1
	688	36mm x 24 TPI Right hand bushing - Italian (optional)	2